

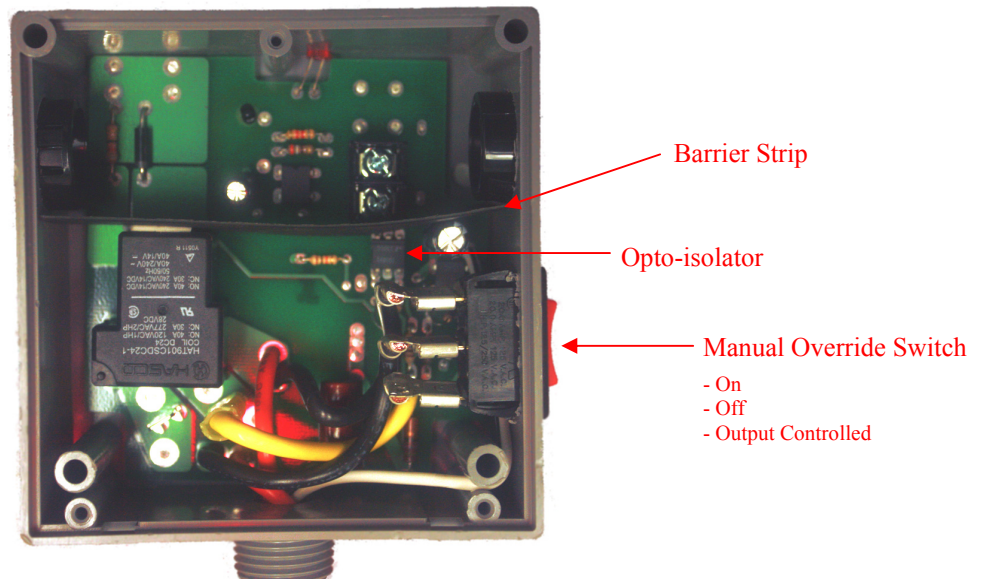


Model 72A00-1 Hardwire Load Control Module

DESCRIPTION

The Hardwired Load Control Module controls the power consumption of high wattage loads, such as water heaters, pool pumps, baseboard heaters, ventilators, humidifier, and dehumidifier. It can also control commercial lighting (e.g. 277 VAC lighting ballasts), vent fans, circulator pumps, sign lighting, and outdoor lighting.

The Hardwired Load Control Module can be operated by using voltage outputs on an HAI controller or expansion enclosure, and features a manual override switch. Optoisolated relays in the 72A00-1 isolate noisy loads from the HAI system.



WIRING DIAGRAMS

Note: This device should be connected only by a qualified electrician.

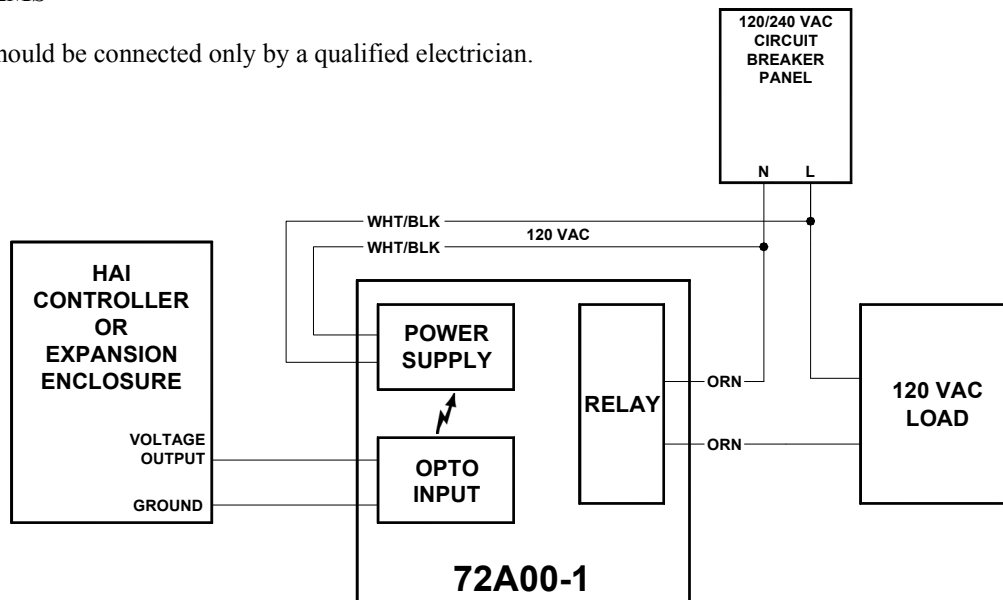


Figure 1 - Connecting to a 120 VAC Load

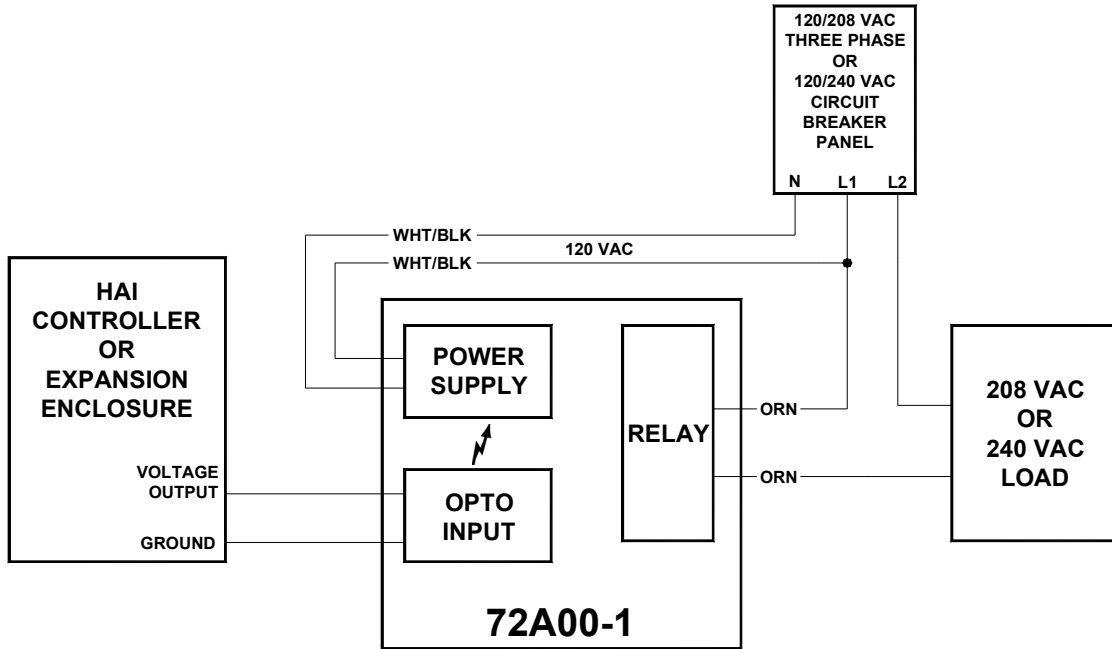


Figure 2 - Connecting to a 208 VAC or 240 VAC Load

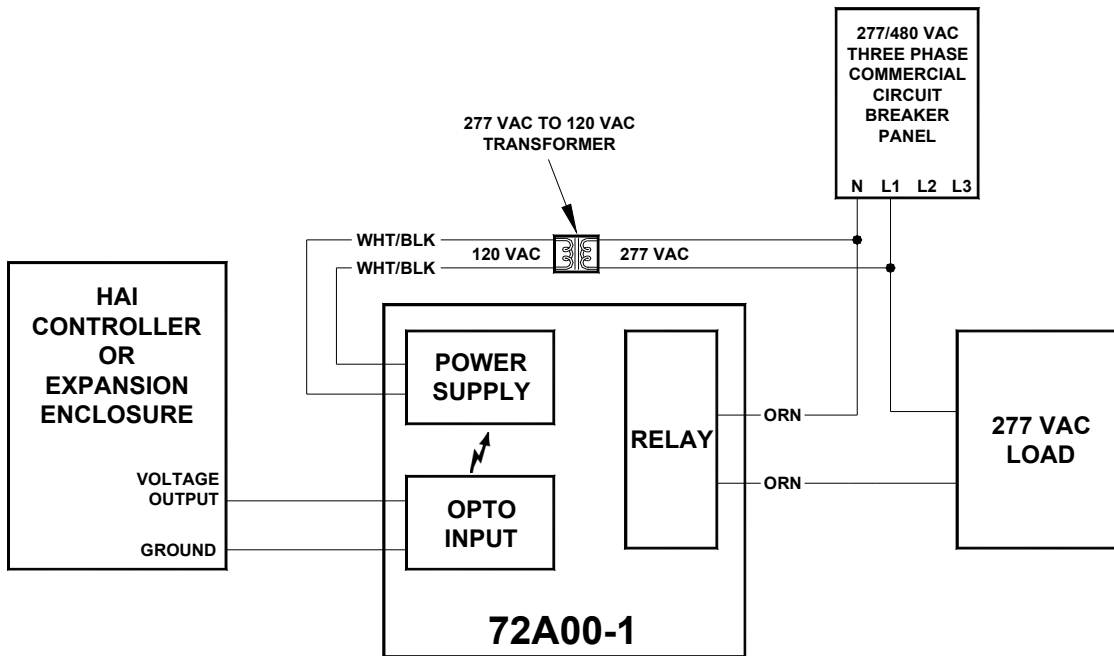


Figure 2 - Connecting to a 277 VAC Load